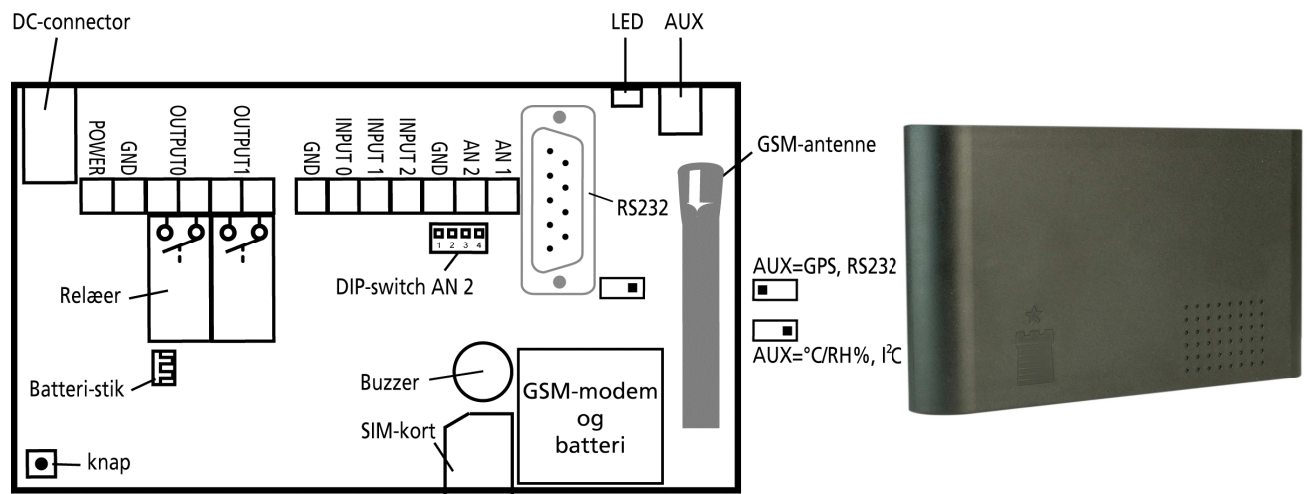


# Data sheet for Technic IO



## DESCRIPTION

The GSM unit is adapted to remote controlled management, measurement and collection of technical alarms via the GSM net. Specially developed design box for mounting on wall. Is able to activate external units e.g. light and siren by activating relay. Management happens automatically through reception of alarm or through text message, call, smartphone app or the Profort portal on the Internet. Sends alarm as text message, e-mail or DTMF call by influence of alarm input. Is able to measure e.g. external temperature, pressure and humidity with analogous measurement equipment, log the measurements, notify in case of voltage failure and when the voltage returns.

When mounting the included li-ion battery, the unit is fully functional for 2 days without external power supply.

### Especially suitable for:

- GPS tracking
- Activation of sirens and light
- Frost and burglary alarm
- Measuring/logging of temperature and humidity
- Management via the Profort web-portal and app for smartphon
- Collection of climate measurements
- Alarm as text message and DTMF tones for 25 receivers

## SPECIFICATIONS

<b>Relay outputs</b>	2	Max load: 6A at 230VAC/35VDC
<b>Digital inputs</b>	3	
Digital input high		Interrupted or min 3VDC – max 12VDC
Digital input low		Max 1V, 2mA
Galvanic separation		No
Input 0		Alarm, dis-/connection (pulse is default or as level from bypass switch)
Input 1		Alarm or pulse/minute counter (max 10 Hz, 6 digits)
Input 2		Alarm or pulse counter (max 10 Hz, 6 digits)
<b>Analog input</b>	2	
Input 1		Profort temperature sensor PTC or as digital input
Input 2		0-10V, 0/4-20 mA, PT100, Profort temperature sensor PTC or as digital input

---

Power supply included	Yes, 12V
Battery	Int. rechargeable li-ion (incl.), ext. battery package (acquisition)
DC output	12VDC-24VDC, max 100mA

---

### Dimensions

Design	Design box, RAL9002
Size	130x80x25mm
Weight	125g

---

### Power consumption, typically

– rest	25 mA
– charging with battery	150 mA
– emergency	5 mA, with battery
– standby	2 mA, with battery

---

### Antenna

Internal	1 for GSM. Exterior
External	Mounting possible via SMA plug

---

### Temperature

Operation	±20-55 °C
Stock	±30-65 °C

---

### Other connections

RS232 for connection to PC or PLC  
Plug for battery  
Holder for micro SIM card  
AUX (mini-USB) for e.g. GPS or probe with temperature and humidity sensor

---

## FUNCTIONS

---

### Alarm receivers

Number: 25. (Up to 8 zones/areas)  
Text message  
E-mail (depending on operator)  
Call with DTMF tones  
Via internet and SIA-IP protocol  
Set-up for approved users only  
Alarm to latest user  
Easy change of receiver order  
Acknowledgement for alarm reception when calling with DTMF tones

---

### Log

Analogue log, measure every ½ hour	24.576 (max. 32 measuring points)
Event log, alarm and set-up	256

---

### Programming

PC Program	Quick set-up connected via RS232 or GPRS/Internet
Text message	Send text from mobile telephone
Profort web-portal	via <a href="http://www.multiguard.dk">www.multiguard.dk</a>

---

### Other functions

Macros for commands	20
Calendar	36 activities (every weekday, specific date)
Delayed connection	30 sec. connection/disconnection in monitored zone
Filter time on inputs	10 sec. – 64 hours
Alarm only every 15 min.	Used with e.g. PIR movement sensor
Power alarm	Never, immediately or after 30 min.

---