

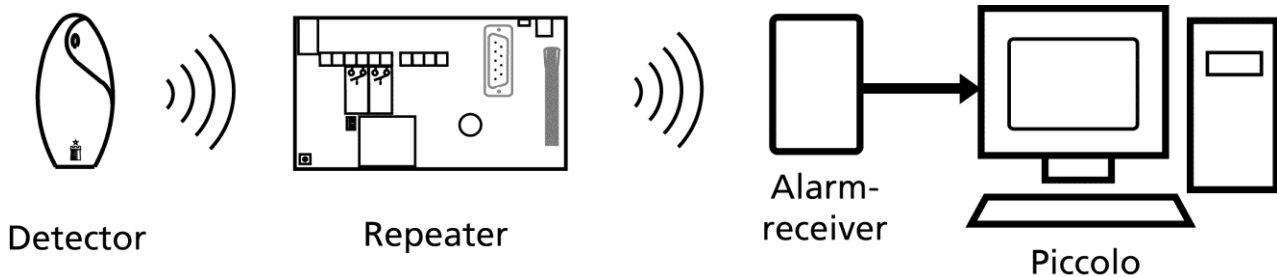
Repeater

Re-transmitting of 868 MHz signal

User manual

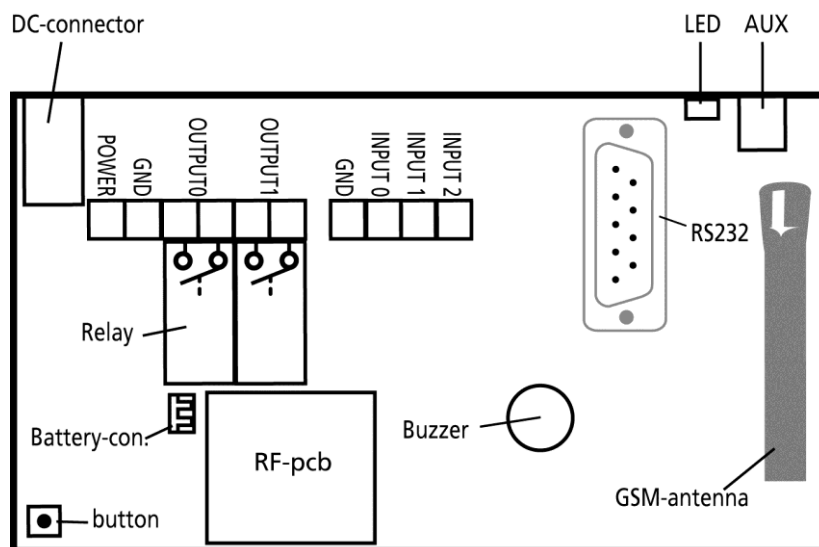
Function:

The Repeater makes it possible to re-transmit Profort RF-868MHz signal. The signal from a detector will automatically be transmitted to the next Repeater or directly to the receiver from the Piccolo system. The Repeater itself functions as a normal detector and therefore it is possible to activate the sabotage/battery failure and surveillance of the unit.



Start-up of Repeater:

The Repeater automatically re-transmits all Profort 868MHz signals. The Repeater only needs to be connected to 12VDC.



Note:

If more than one Repeater is needed in the area, each Repeater needs to be encoded. See under installation.

Installation of Repeater:

The unit must be supplied with external 12VDC. It has an internal battery-backup and therefore gives an alarm in case of power failure.

The Repeater must be installed as high as possible. Please note that the end of the antenna must not be hidden behind metal or reinforced concrete. This considerably limits the reach of the RF-range.

If more than 1 Repeater is needed for an installation, each Repeater needs to be encoded. This is done by mounting the supplied 'wire-jumper' between gnd and input. The Repeater will now have an individual serial number.

Serial number 170000, if no wire-jumper is mounted.

Serial number 170001, if wire-jumper is mounted between gnd and input0

Serial number 170002, if wire-jumper is mounted between gnd and input1

Serial number 170003, if wire-jumper is mounted between gnd and input2

Only 1 wire-jumper must be mounted, and an installation should never contain 2 Repeaters with identical serial numbers. Thus, 4 is the maximum number of Repeaters that can be used in an installation.

By activation of the button a sabotage-signal is sent, and it is hereby possible to see if the central unit is able to receive signals from the Repeater. If external power supply is removed the Repeater gives a sabotage alarm.

Service and maintenance:

Every 6 month a check must be made whether or not the Repeater can be activated. This is done by activating the sabotage button inside the unit. Then it must be checked whether an alarm has been registered from the Repeater on the central unit. Next the external power supply is removed and then the unit once more gives a sabotage alarm.

Technical specifications:

Dimensions:	130x 85 x 24 mm
Weight incl. internal battery:	150 g
Radius of transmitted wireless signal:	Indoor typically 30 -100 m.
Power supply:	12VDC
Temperature:	÷10° - +55° Celsius.