

QUICK MANUAL for Personal alarm for Piccolo AIR



Personal alarm, Piccolo AIR

Function:

The unit is a wireless transmitter, used as a personal alarm. The unit emits a wireless alarm signal at the push of the button.

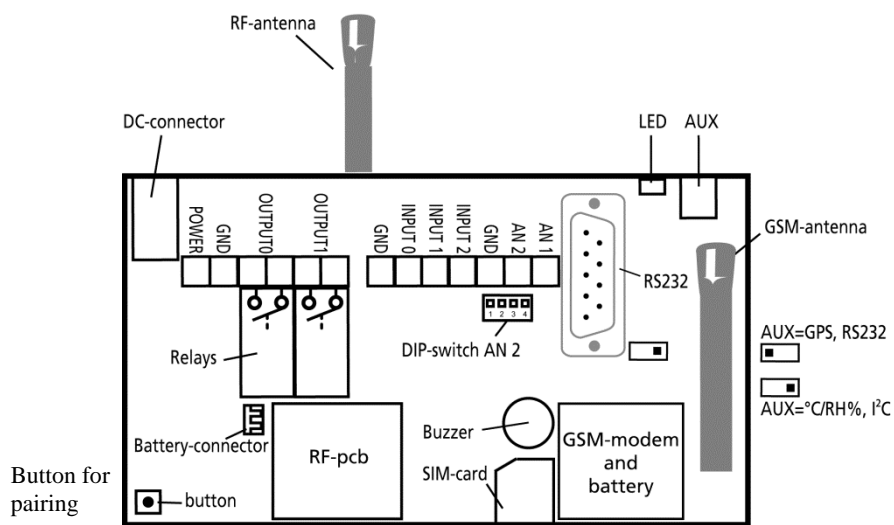
The unit and Piccolo AIR need to be paired before they can be used together. The unit is supplied with an internal battery and a key ring.

Pairing:

The remote control must be paired with the Piccolo AIR with which it will be used.

1. Start the pairing:

To do this you have to press the button in the bottom left corner of the Piccolo AIR. When you release the button the Piccolo AIR begins to beep quickly.



2. Personal alarm:

Now press the button on the personal alarm unit, in order to pair it with the Piccolo AIR unit. As acknowledgment the Piccolo AIR beeps fast, after which the sound signal stops. Now the units are paired.

3. Additional personal alarms:

If additional personal alarm units are needed, step 2 is to be repeated for each unit. It is possible to pair up to 60 personal alarm units to the Piccolo AIR unit.

Service and maintenance:

Every 6 months you must check if the remote control can still be activated. This is done by using the unit for connection/disconnection or as personal alarm. Afterwards you need to check if an alarm has been sent from the unit.

If the unit is out of order it needs a new battery. If this does not help, the whole unit needs to be replaced.

Specifications:

Size:	55 x 33 x 9 mm
Weight incl. external battery:	25 g
Range, wireless signal:	Up to 250m when used for outdoor measurements
Voltage supply:	Internal battery
Lifespan for battery:	Up to 10 years
Temperature:	÷10° - + 55° Celsius

Piccolo AIR:

The GSM unit for reception of wireless alarms and transmission of text messages via the GSM net.

- 2 relay output for e.g. siren or light
- 3 digital inputs
- 2 analogue inputs
- 12V DC power supply (inclusive)
- 3,6V Li-ion back-up battery (inclusive)
- Input for GPS
- Plug for external temperature and humidity sensor
- Design box for wall mounting

