

# Piccolo®

## Mounting of Alarm Receiver

# Manual

### Function

The alarm receiver receives alarm signals from wireless detectors.

Depending on interior and size, one or more alarm receivers can be mounted in a room.

The alarm receiver can be connected to a closed network via RS485 or in an Ethernet installation. If RS485 is used, the alarm receivers are voltage supplied via the RS485 net, and thereby there is a risk of DC voltage drop on long networks which determines the position of every alarm receiver. Many alarm receivers in the peripheral areas of the network can cause too low voltage. If this is the case, the alarm receiver in question needs to be locally supplied with 12-24VDC.

If Ethernet is used, it must be a closed network exclusively for Piccolo. If PoE Ethernet is used the receivers are powered via this network. If a normal Ethernet is used the receivers must be local powered.

### Installation

The alarm receiver needs to be placed centrally between the detectors that are farthest away from it.

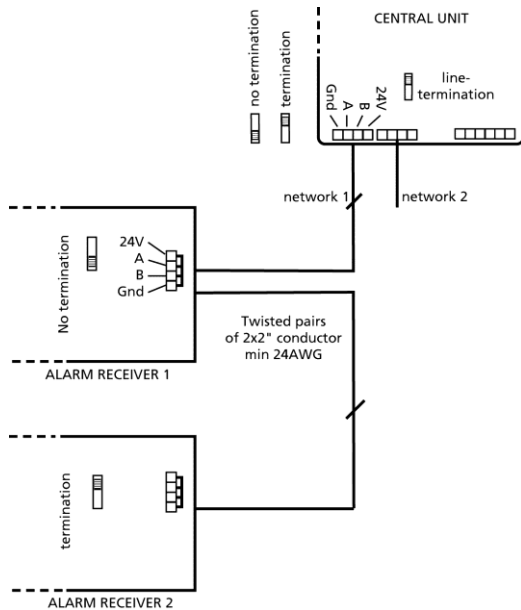
1. Mount the alarm receiver firmly to a wall.  
Should be placed vertically and high up (at least 2 metres)  
and with the cable connections facing up.

### Notice:

- Do not mount the alarm receiver behind metal or reinforced concrete, massive stone or granite because it reduces the range significantly.
- Experience shows that a distance of only 30 cm between alarm receiver and metal or concrete increases the range considerably.
- The voltage for every single alarm receiver must be at least 7V DC. In case of voltage drop under this level, a power failure alarm is sent to the PC.



## Connection to RS 485 network & line termination

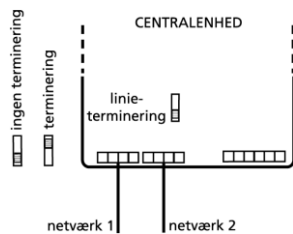


Requirements for cables:

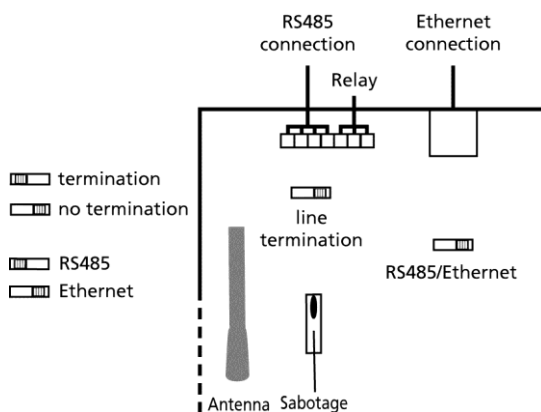
Cable on the network from PC to line adapter:  
Twisted pair 2x2 wire, minimum 0,25 Ø.

Line termination:

Line termination is needed on the central unit if only one of the networks is used. Otherwise, the line termination is conducted on the unit farthest away in the network.

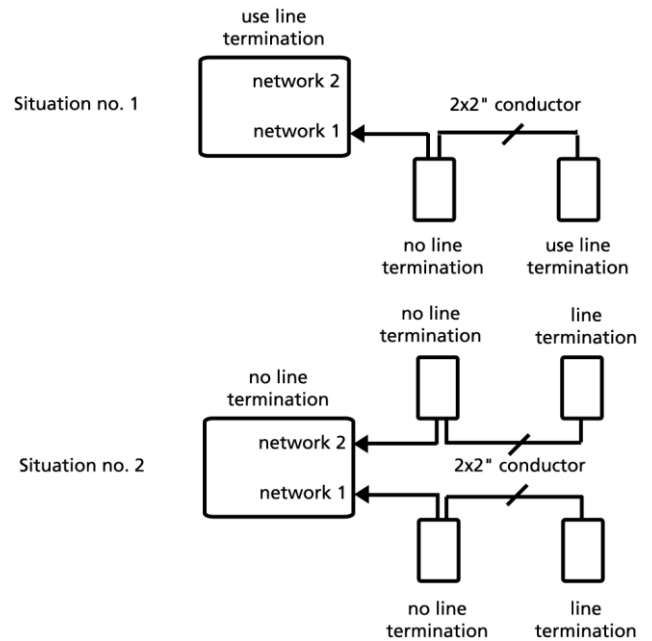


Line termination on central unit

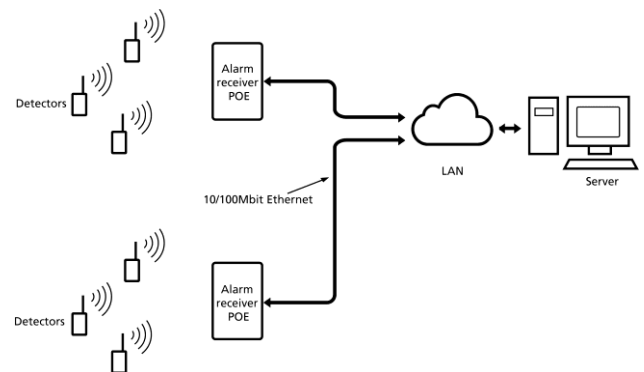


Line termination and RS485/Ethernet on alarm receiver

How to use line termination:



## Connection to Ethernet and Ethernet POE



Is Ethernet POE used, the alarm receivers are voltage supplied via Ethernet. Is a normal Ethernet used, the alarm receivers need to be voltage supplied locally with 12-24VDC.

In Ethernet configuration, no line termination is needed.