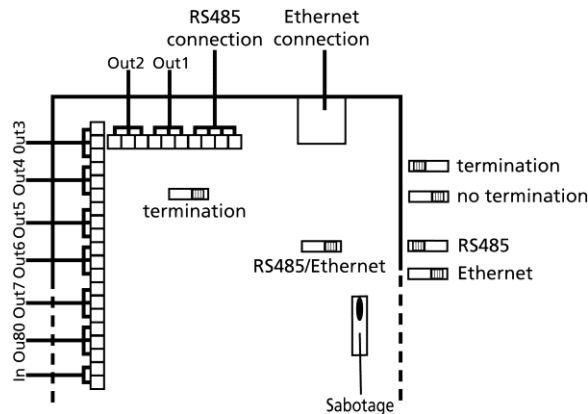


I/O interface

Relay extension module for Piccolo

Function

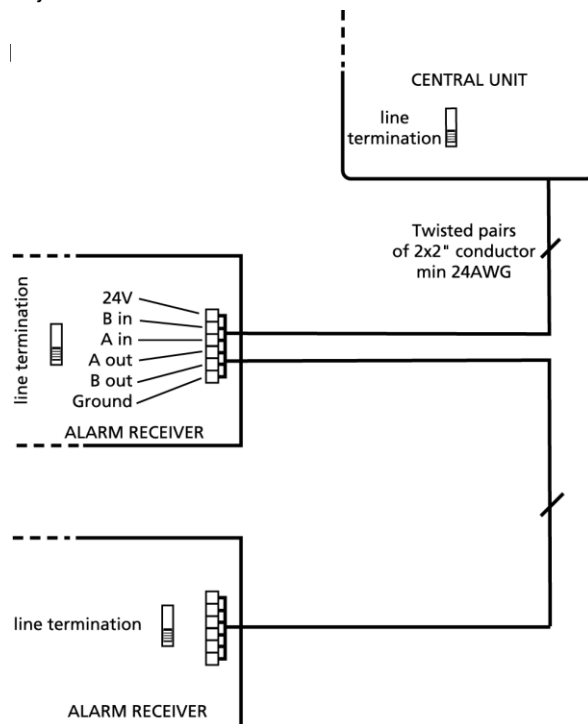
I/O interface is an extension module to Piccolo object protection system. The unit contains 8 output relays and 1 input relay. The 8 output relays can be activated by alarm from the Piccolo system and an input to the Piccolo can be generated by shortcutting the input relay.



I/O interface is mounted on the Piccolo network.

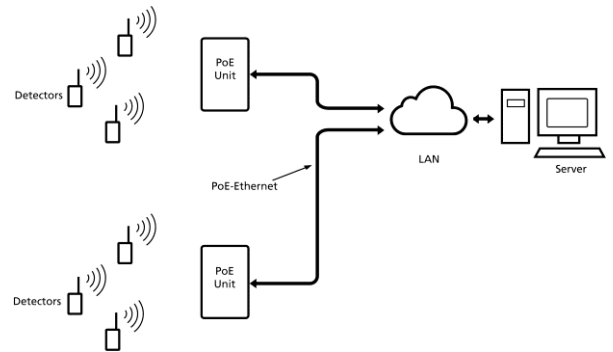
Installation:

I/O interface is available in 2 editions: RS485 and RS485 / PoE. It is mounted on Piccolo RS485 network or as PoE in the same way as Piccolo alarm receiver.



Please note that the unit furthest on the network as well as the central unit, need to be line terminated.

Ethernet og Ethernet POE netværk:



If POE Ethernet is used, the PoE device is supplied via the Ether network. If a normal Ethernet is used, the device must be locally powered by 12-24VDC.

If Ethernet configuration is used, line termination should not be used.

Service and maintenance:

Every 6 months, it should be checked whether the unit can be activated. This is done by generating an alarm from Piccolo and observing that relay outputs are changing, activating sabotage and observing that alarm enters Piccolo as well as activating the input and observing that alarm eg. resets.

Specifications:

Size:	150 x 120 x 45 mm
Weight:	300 g
Power supply:	24VDC (18-28VDC)
Power consumption:	Max. 150mA/24VDC (5W)
Temperature:	±10° - +55° Celsius.

Parts and accessories:

RS485, Relay interface 8+1	Profort no. 004825
PoE, Relay interface 8+1	Profort no. 004830