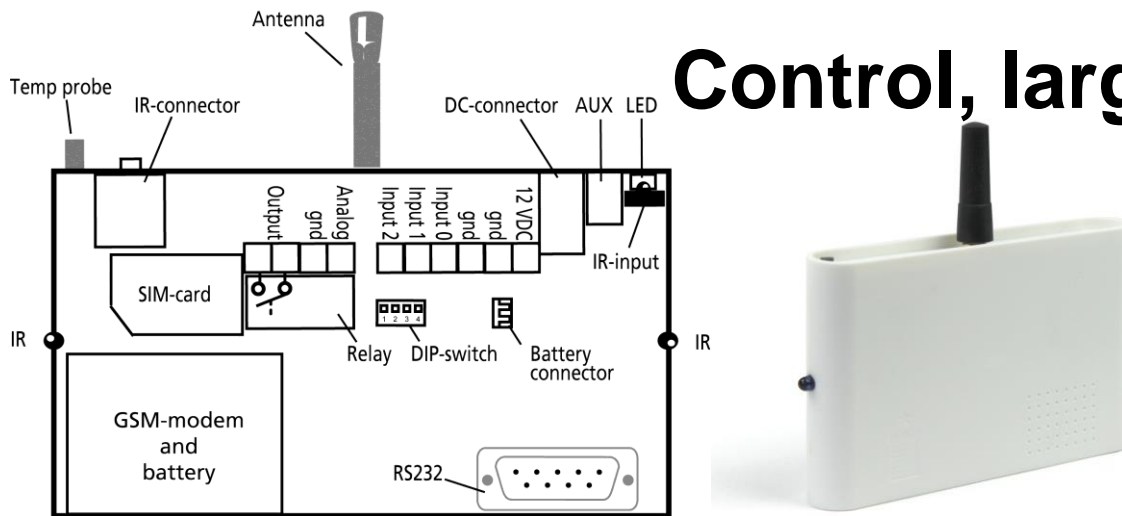


# Data Sheet for Profort IR Remote Control, large



## DESCRIPTION

The GSM unit is adapted to remote controlled management and measurement via the GSM network. Specially developed design box for mounting to wall. Is able to control air-to-air heat pumps by activation of built-in IR diodes. Is able to control other heat by activation of the relay. Management is done via text messages, phone call, smartphone app, or the Profort portal on the Internet. Gives alarm as text message, email or DTMF call by influence of alarm inputs. Has a built-in temperature probe. Is furthermore able to measure, for instance, external temperature, pressure and humidity with analogous measuring equipment, log the measurements, notify in case of voltage errors and when the voltage returns.

The module is the large IR remote control with both output and inputs for e.g. alarm equipment and camera. When mounting the included li-ion battery, the unit is fully functional for up to 1 week without external power supply.

### Particularly suitable for:

- Control of air-to-air heat pumps
- Server room surveillance
- Photo to smartphone and Internet
- GPS tracking
- Control via the Profort web-portal and app for smartphone
- Fully operational for up to 1 week with internal battery
- Alarm as text message and DTMF tones for 25 receivers
- Frost and robbery alarm

## SPECIFICATIONS

<b>Relay output</b>	1	Max strain: 6A at 230VAC/35VDC
<b>Digital inputs</b>	3	
Digital input high		Interrupted or min 3VDC – max 12VDC
Digital input low		Max 1V, 2mA
Galvanic separation		No
Input 0		Alarm or connection/disconnection (pulse or level from bypass switch)
Input 1		Alarm or pulse/minute counter (max. 10 Hz, 6 numbers)
Input 2		Alarm or pulse counter (max. 10 Hz, 6 numbers)
<b>Analogue input</b>	1	0-10 V, 0/4-20 mA, PT100, Profort temperature sensor PTC or as digital input
	1	built-in temperature probe
<b>Supply</b>		12VDC, ±10% min. 0,5 A

---

Power supply included	Yes
Battery	Internal rechargeable li-ion (included), external battery package (acquisition)
12VDC outlet	Yes, max 100mA

---

### Dimensions

Design	Design box, RAL9002
Size	130x80x25mm
Weight	125g

---

### Power consumption, typically

– rest	30 mA
– charging with battery	150 mA
– emergency operation	2 mA, with battery
– standby	1 mA, with battery

---

### Antenna

Internal	Exterior
External	Montage via SMA plug option

---

### Temperature

Operation	÷20-55 °C
Stock	÷30-65 °C

---

### Other connections

RS232 for connection to PC or PLC  
3.5mm Jack plug for transmission of IR codes for heat pumps  
Plug for battery  
Holder for SIM card  
AUX (mini-USB) for e.g. camera and GPS

---

## FUNCTIONS

---

### Alarm receivers

Number: 25 (up to 8 zones/areas)  
Text message  
Email (depending on operator)  
Call with DTMF tones  
Via the Internet and SIA-IP protocol  
Set-up only for acknowledged users  
Alarm for latest user  
Easy change of receiver order  
Acknowledgement for alarm reception in case of calls with DTMF tones

---

### Log

Analogue log, measuring every ½ hour 24.576 (16 months' history)  
Event log, alarm and set-up 256

---

### Programming

PC Program	Quick set-up connected via RS232 or GPRS/Internet
Text message	Send text from mobile telephone
The Profort web-portal	via <a href="http://www.multiguard.dk">www.multiguard.dk</a>

---

### Other functions

Macros for commands and IR codes:	10
Calendar:	36 activities (every weekday, specific date)
Delayed connection:	30 sec. connection/disconnection in surveilled zone
Filter time on inputs:	10 sec. – 64 hours
Alarm only every 15. min.	used for e.g. PIR movement sensor
Power alarm:	Never, immediately or after 30 min.

---