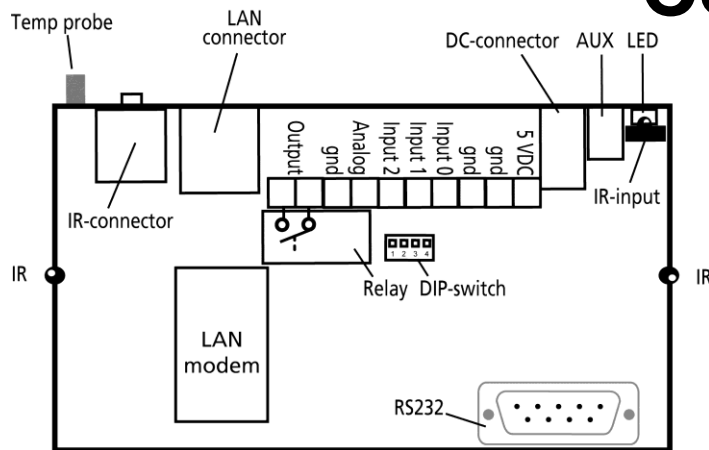


Data Sheet for Profort IR Remote Control, LAN



DESCRIPTION

The LAN unit is adapted to remote controlled management and measurement via the Internet. Specially developed design box for mounting on wall. Is able to control air-to-air heat pumps by activation of built-in IR diodes. Is able to control other heat by activation of the relay. Control is managed via the smartphone app or the Profort portal on the Internet. Gives alarm as email by influence of alarm inputs. Has a built-in temperature probe. Is furthermore able to measure, for instance, external temperature, pressure and humidity with analogous measuring equipment and log the measurements.

The module is the LAN version of our IR remote control series with both output and inputs for e.g. alarm equipment and camera.

Particularly suitable for:

- Control of air-to-air heat pumps
- Server room surveillance
- Photo to smartphone and Internet
- Area with poor GSM coverage
- Control via the Profort web-portal and app for smartphone
- No telephone subscription costs
- Alarm as email for 25 receivers
- Frost alarm

SPECIFICATIONS

Relay output	1	Max strain: 6A at 230VAC/35VDC
Digital inputs	3	
Digital input high		Interrupted or min 3VDC – max 12VDC
Digital input low		Max 1V, 2mA
Input 0		Alarm or connection/disconnection (pulse or level from bypass switch)
Input 1		Alarm or pulse/minute counter (max. 10 Hz, 6 numbers)
Input 2		Alarm or pulse counter (max. 10 Hz, 6 numbers)
Analoge input	1	0-10 V, 0/4-20 mA, PT100, Profort temperature sensor PTC or as digital input
		1 built-in temperature probe
Supply		5VDC, ±10% min. 0,5 A
Power supply included		Yes
5VDC outlet		Yes, max 250mA

Dimensions

Design	Design box, RAL9002
Size	130x80x25mm
Weight	125g

Power consumption, typically

– rest	30 mA
--------	-------

Temperature

Operation	÷20-55 °C
Stock	÷30-65 °C

Other connections

RS232 for connection with PC or PLC
3.5mm Jack plug for transmission of IR codes for heat pumps
Holder for SIM card
AUX (mini-USB) for e.g. camera and GPS
RJ45 for Ethernet or Wi-Fi adapter

FUNCTIONS

Alarm receivers

Number, 25 (up to 8 zones/areas)
Email
Via Internet
Easy change of receiver order

Log

Analog log, measuring every ½ hour	24.576 (16 months' history)
Event log, alarm and set-up	256

Programming

PC Program	Quick set-up connected via RS232 or Internet
The Profort web-portal	via www.multiguard.dk

Other functions

Macros for commands and IR codes:	10
Calendar:	36 activities (every weekday, specific date)
Delayed connection:	30 sec. connection/disconnection in surveilled zone
Filter time on inputs:	10 sec. – 64 hours
Alarm only every 15 min.	Used for e.g. PIR movement sensor