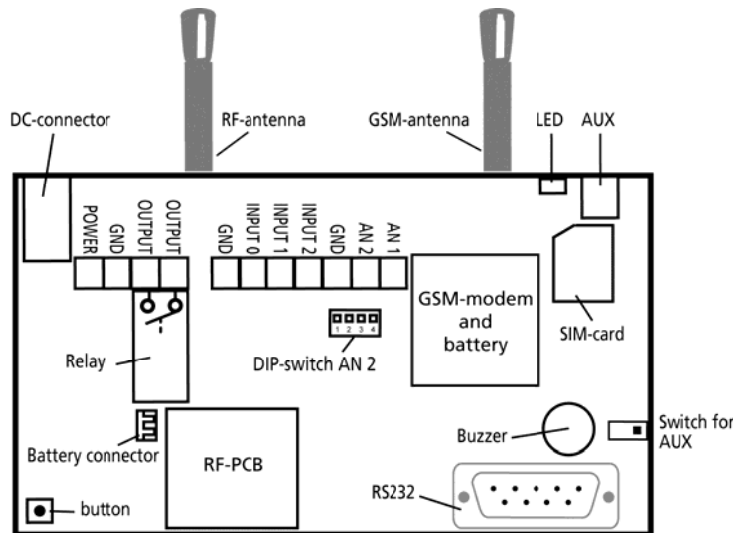


Data sheet for multiGuard

Technic RF



DESCRIPTION

The GSM unit is adapted to remote controlled management, measurement and collection of technical alarms via the GSM net. Specially developed design box for mounting on wall. Is able to collect signals from wireless units, e.g. alarm sender from protection of diesel tanks. Can activate external units such as light and siren through activation of the relay. Management happens automatically through reception of alarm or through text message, call, smartphone app or the Profort portal on the Internet. Gives alarm as text message, e-mail or DTMF call in case of alarm. Is able to measure e.g. external temperature, pressure and humidity with analogous measurement equipment, log the measurements, notify in case of voltage failure and when the voltage returns.

The unit has a built-in wireless 868 MHz module for reception of wireless alarms and measure results. When mounting the included li-ion battery, the unit is fully functional for 2 days without external power supply.

Especially suitable for:

- Alarming from diesel tanks
- Activation of sirens and light
- Photo on smartphone and Internet
- GPS tracking
- Management via the Profort web-portal and app for smartphone
- Collection of climate measurements
- Alarm as text message and DTMF tones for 25 receivers
- Frost and burglary alarm

SPECIFICATIONS

Relay output	1	Max load: 6A at 230VAC/35VDC
Digital inputs	3	
Digital input high		Interrupted or min 3VDC – max 12VDC
Digital input low		Max 1V, 2mA
Galvanic separation		No
Input 0		Alarm, dis-/connection (pulse is default or as level from bypass switch)
Input 1		Alarm or pulse/minute counter (max 10 Hz, 6 digits)
Input 2		Alarm or pulse counter (max 10 Hz, 6 digits)
Analogue input	1	0-10 V, 0/4-20 mA, PT100, Profort temperature sensor PTC or as digital input
	1	Profort temperature sensor PTC or as digital input
868 MHz module		Receives signals from 60 detectors

Supply	12VDC-24VDC, $\pm 10\%$ min. 0,5 A
Power supply, included	Yes, 12V
Battery	Internal rechargeable li-ion (included), external battery package (acquisition)
DC output	12VDC-24VDC, max 100mA

Dimensions	
Design	Design box, RAL9002
Size	130x80x25mm
Weight	125g

Power consumption, typically	
– rest	40 mA
– charging with battery	150 mA
– emergency	18 mA, with battery
– standby	17 mA, with battery

Antenna	
Internal	2 for 868 MHz and GSM. Exterior
External	Mounting possible via SMA plug

Temperature	
Operation	$\pm 20-55$ °C
Stock	$\pm 30-65$ °C

Other connections
RS232 for connecting to PC or PLC
Plug for battery
Holder for micro SIM card
AUX (mini-USB) for e.g. camera and GPS

FUNCTIONS

Alarm receivers
Number: 25 (up to 8 zones/areas)
Text message
E-mail (depending on operator)
Call with DTMF tones
Via the Internet and SIA-IP protocol
Set-up for only approved users
Alarm for latest user
Easy change of receiver order
Acknowledgement for alarm reception when calling with DTMF tones

Log
Analogue log, measure every ½ hour 24.576 (16 months' history)
Event log, alarm and set-up 256

Programming
PC Program Quick set-up connected via RS232 or GPRS/Internet
Text message Send text from mobile telephone
Profort web-portal via www.multiguard.dk

Other functions
Macros for commands 10
Calendar 36 activities (every weekday, specific date)
Delayed connection 30 sec. connection/disconnection in surveilled zone
Filter time on inputs 10 sec. – 64 hours
Alarm only every 15 min. Used with e.g. PIR movement sensor
Power alarm Never, immediately or after 30 min.
