

Data sheet:

Piccolo Alarm receiver



Specification hardware:

Dimension:

- Box
- 120x160x40 mm
- Weight: 200 g.

Interface:

- 1 pcs RS485

Relay output internal:

- NO/NC/C (0,5 A)

Power:

- 12-24V external supply
- 40 mA consumption
- 80 mA consumption with relay operated

Wireless:

- 868 MHz exchangeable module
- Internal antenna
- FW upgradable by exchange of PIC

Sounder:

- internal sounder by alarm

Temperature:

÷10 °C - +55 °C

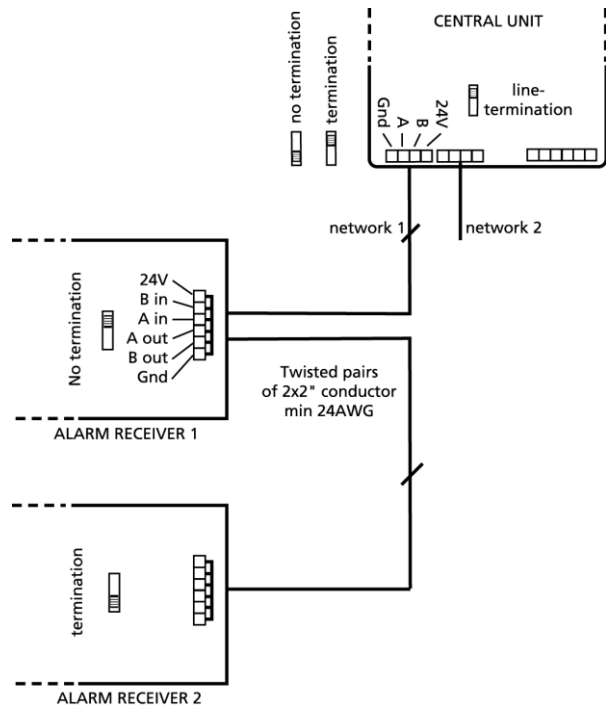
Sabotage switch

Termination of RS485 network:

- switch on motherboard
- 120 Ohm on last device in network

Specification software:

FW upgradable by exchange of PIC
Control of output relay from central SW
Control of sounder from central SW



Range	
Outside, between detector and alarm receiver:	Max. 1000 m.
Inside, between detector and alarm receiver	Typically 50-100 m.
Distance from the central unit to the alarm receiver:	Max. 1.500 m. (if 24AWG leads is used)
Distance between 2 alarm receivers:	Max. 3.000 m. if both networks are applied.
Number	
Number of detectors per alarm receiver:	Max. 200 detectors.*
Number of alarm receivers and/or I/O Interfaces per system:	Max. 128 units.**