

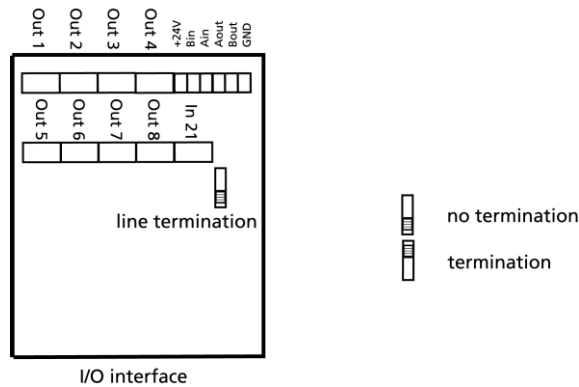
User manual, item no.. 104081

I/O interface

Extension module to Piccolo

Function

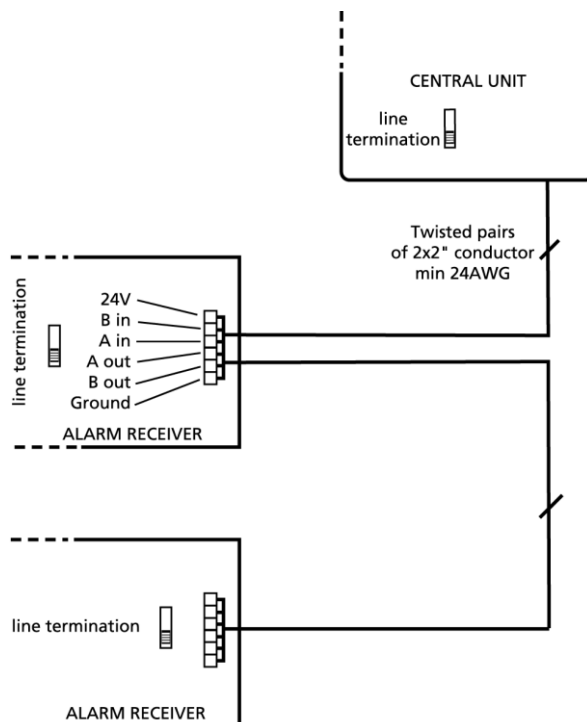
I/O interface is an extension module to Piccolo object protection system. The unit contains 8 outputs and 1 input. The 8 outputs can be activated by alarm from the Piccolo system and an input to the Piccolo can be generated by shortcutting the input.



I/O interfaces are in two versions. One version for built-in to the PC-interface and one version for installation in the Piccolo network.

Installation:

I/O interface is installed in the Piccolo network in the same way as the Piccolo alarm receiver.



If the I/O interface is the built-in version it is connected in the same way as an external unit. Just fastened the unit to the PC-interface by means of the 5 screws .

Please remark the same rules for line termination as for the alarm receiver. Refer to the manual for Piccolo.

Service and maintenance:

Every 6 months it should be controlled if the unit can be activated. Do it by generating an alarm from the Piccolo and see if the outputs changes, activate the sabotage switch and activate the input.

Specifications:

Size:	150 x 120 x 45 mm
Weight:	300 g
Power supply:	24VDC (18-28VDC)
Power consumption:	Max. 75mA
Temperature:	÷10° - +55° Celsius.

Parts and accessories:

Relay interface 8+1	Profort nr. 004820
Extension module, relay interface 8+1	Profort nr. 004800
User manual english	Profort nr. 104081